



E20 Series

Electric Unicycle User Manual



Before using your unicycle, please read the instructions, and keep this manual for ready reference.
Original instructions

***i* NMOTION**

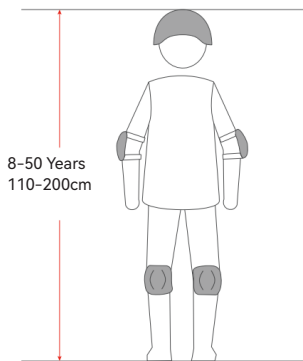
GETTING STARTED

Thank you for choosing the INMOTION electric unicycle(hereinafter referred to as the unicycle)! This unicycle is an intelligent high-tech entertainment product. When you use the unicycle, there may be situations such as falling or collision that can cause injury and other risks. To reduce possible risks and ensure the personal and property safety of yourself and others, you have the responsibility and obligation to carefully read the user manual, fully understand all the warnings and precautions listed in this manual, and ensure that you can use it correctly. To obtain the latest feature/function information and safety guidance, please download the electronic version from the official website.

Important! Read carefully and keep for future reference.

Serial number (referred to as SN below) is a unique identifier for each product, which can be used for product warranty, maintenance, insurance claims, loss confirmation, and so on. The SN is a 16-character numeric code that can be found on the packaging box label, the body of the product, or in the device information section of the INMOTION App.

Get closer to your seller so he can refer you to an appropriate training organization.

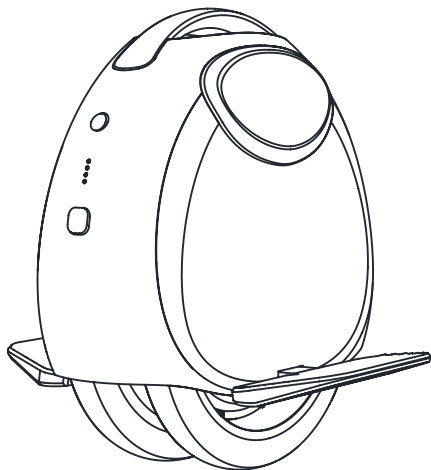


When riding an electric unicycle, please wear a helmet, knee pads, elbow pads, wrist guards and other protective gear throughout the journey to reduce the risk of injury.

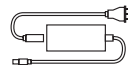
All pictures in this manual are for reference only. Please refer to the actual product for accuracy.

PACKING LIST

Please carefully check all components inside the packaging. If any components are missing, please consult your point of purchase.



User Manual

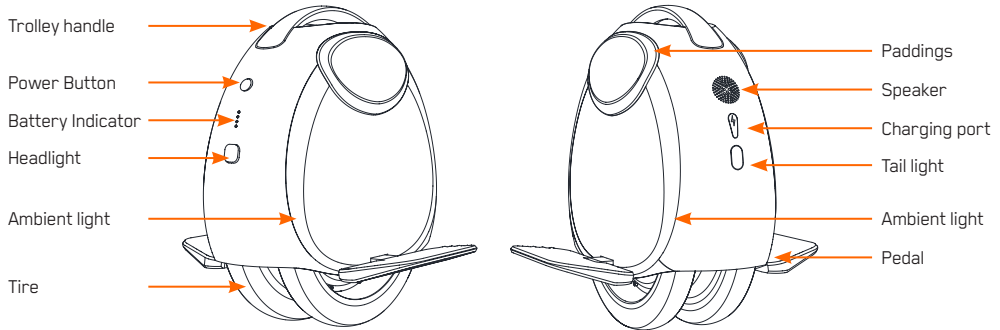


Power Cord /Adapter



WARNING: Please keep the packaging box and packaging materials for at least 30 days for future use when transporting the electric unicycle.

DIAGRAM



PRODUCT FEATURES

Power On/Off: Press and hold the power button for 1 second when the device is off/on to turn it on/off.

HEADLIGHT: When the device is on, press the power button briefly to turn the headlight on/off. The headlight can also be controlled via the App.

Lock: Lock and unlock the vehicle through the lock icon in the App (only the verified owner can lock/unlock the vehicle).

Ride Mode Selection: Choose between Beginner Mode, Normal Mode, and Sport Mode through the App (beginner mode is the default setting).

Active Disable: Double-click the power button to lose balance (double-click again after righting the vehicle to regain balance).

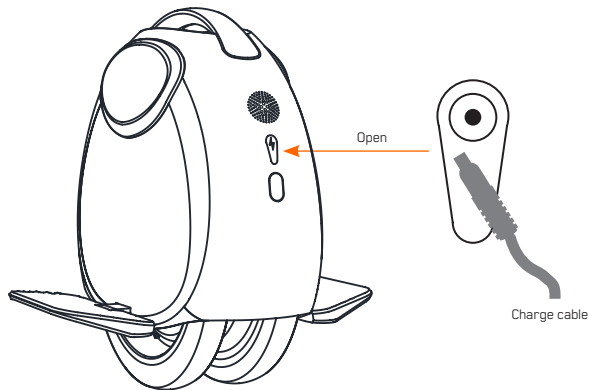
Tail light: The tail light is off during normal riding; it flashes brightly when braking.

Ambient Light: Customize in the App.

Speaker: Connect to a phone via Bluetooth to play music.

Charging

The original charger is 54.6V. For the battery indicator: 0-25%, four bars flash in a cycle; 25-50%, one bar is solid, three bars flash in a cycle; 50-75%, two bars are solid, two bars flash in a cycle; 75-100%, three bars are solid, one bar flashes in a cycle; 100%, four bars are solid. (Warning: Use the original charger for charging.)



Warning:

- Do not charge if there is water at the charging port or power cord.
- Please use the original adapter for charging.
- Do not charge indoors.
- Cover the lid tightly after charging.
- Do not charge if the battery is damaged or has been exposed to water.
- If not in use for a long time, it is recommended to charge once every three months.

Note:

Tire Pressure: Maintain approximately 3.0 bar in both tires, ensuring they have equal pressure.

Moving vehicle: When lifting the vehicle, please turn it off first.

DIAGRAM

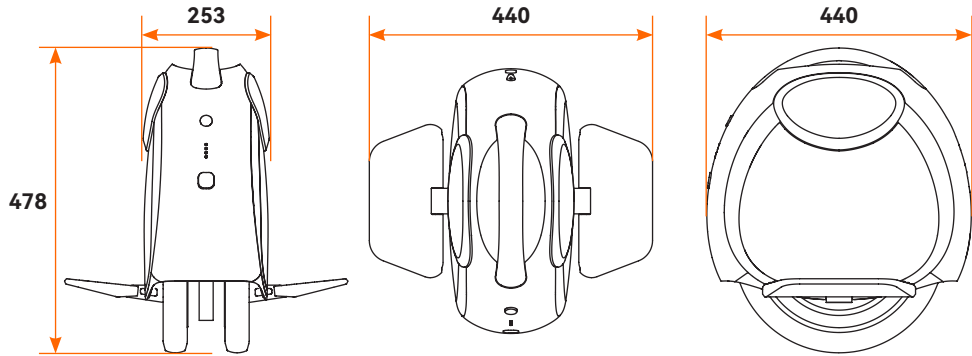
Basic Specs	Model	E20	E20Lite
	Range (km)	30 ^[1]	15
	Charging Time (h)	约 3.5h	约 2.5h
	Max. speed (Km/h)	20 ^[2]	15
	Max. slope (°)	15° ^[3]	15°
Frame	Length*Width*Height (mm)	440*253*507	440*253*507
	Net Weight (kg)	13.5	12.8
	Max. payload (kg)	90	90
	IP Ratings	IPX5	IPX5
Battery Pack	Rated Capacity (Wh)	240	120
	Rated Voltage (V)	48	48
Motor	Rated Power (w)	450	450
	Max.Power (w)	900	900
	Tire Size	14*1.75 Dual Wheels	14*1.75 Dual Wheels
	Tire Pressure (BAR)	3.0	3.0
	IP Ratings for Motor	IPX5	IPX5
Charger	Charger Input	54.6	54.6
	Charger Output (W)	54.6V--1.5A	54.6V--1.0A
Ride Mode	Beginner	7km/h	7km/h
	Normal	15km/h	10km/h
	Sport	20km/h	15km/h

[1]: Under full charge conditions, with a 70kg load, at an ambient temperature of 25°C, and traveling at 60% of the maximum speed on a flat, hard surface, the range was measured. The range is influenced by factors such as temperature, tire pressure, road conditions, and riding habits (such as rapid acceleration and suspension).

[2]: The range was measured on a flat surface, with a 70kg load, at 25°C, in calm weather, under full charge conditions.

[3]: The actual range was measured under full charge conditions with a 70kg load.

DIMENSION



INITIAL USE

Activation

1. Users need to connect to the INMOTION App to activate the vehicle. Without activation, the vehicle remains in transport mode, unable to balance, with the tail light flashing as a reminder.
2. After activation through the App, the vehicle automatically exits transport mode and enters Beginner Mode.
3. A prompt to authorize as the owner appears after activation is complete.

INITIAL USE

Electric Unicycle is a high-tech recreation product. When you ride without following the operation specifications, it may lead to unpredictable injuries and property losses. The following will explain how to use Electric Unicycle and the precautions in details. Please read it carefully and use Electric Unicycle as required. Before using, please make sure that all parts of Electric Unicycle are not damaged and installed properly.

Warning:

- Before using the Electric Unicycle, ensure that the battery is fully charged. It is recommended to charge it more than 80 percent of capacity.
- Find a relatively open and flat area to practice riding, (at least 4m by 4m in area), both inside and outside. You need to be fully aware of the riding environment around you to ensure that you are not disturbed by obstacles such as cars, pedestrians, pets, bicycles, etc.
- You need a skilled assistant stood by. The assistant must be familiar with Electric Unicycle and all precautions and usage methods in this manual.
- Please do not ride the vehicle on slippery ground.
- Users are advised to wear comfortable, casual or sports clothing, and to wear flats and warm up to improve your flexibility.
- Be sure to wear a helmet and riding protective gear to avoid injury.

Download INMOTION App



Download the App in the following ways

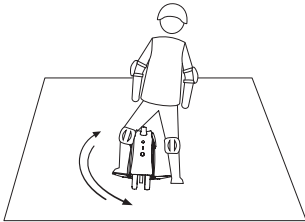
1. Scan the QR code on the left
2. Search "INMOTION" in the Apple store or Google Play Store.
3. Visit <https://inmotionworld.com/app/>

Tips:

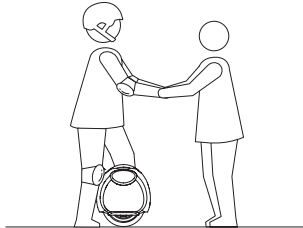
Electric Unicycle supports Bluetooth 5.0 BLE. The BLE ID is V12Pro-XXXXXXX, where XXXXXXX is the last 8 digits of SN. Install the INMOTION App on your mobile device (iOS 12.1 and above or Android 7.0 and above supported) and follow the prompts to connect your Electric Unicycle.

For more functions, please visit the official website to download the latest version of INMOTION App user manual.

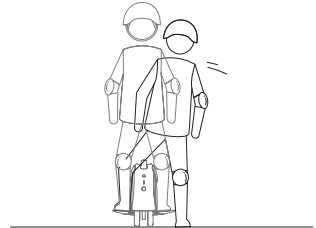
LEARNING TO RIDE



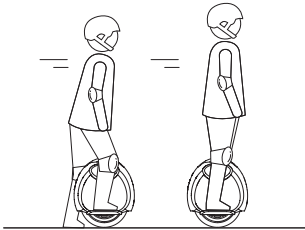
1. Step on the pedal with one foot, then swing back and forth.



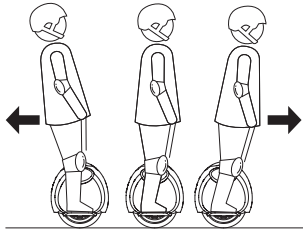
2. Step on the pedal with one foot, keep your feet and body upright and gradually shift your weight up.



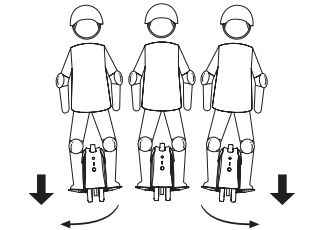
3. Step on the pedal with one foot, lift the other foot off the ground for 1-2 seconds and start gliding.



4. Step on the pedal with one foot, push back with the other foot and start gliding.



5. Step on pedals with both feet, use your weight to move forward and back.



6. Press the pedals with feet by different force to make a turn.



INMOTION App



Facebook group



Website

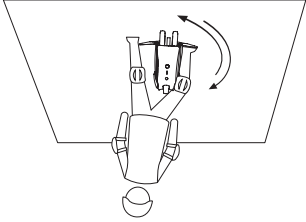
乐行天下 App



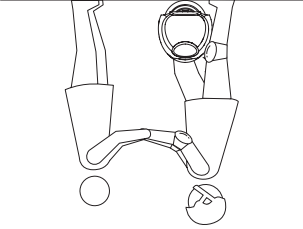
官网



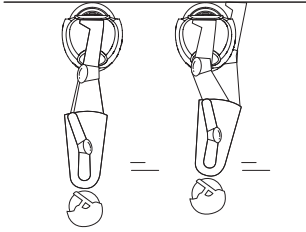
学习骑行



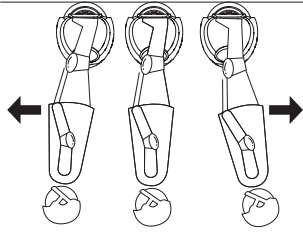
1. 单脚踏板，前后摆动。



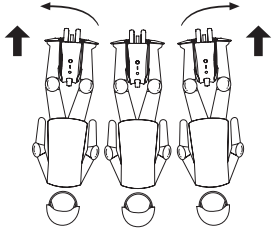
2. 单脚踏板，脚、身体保持直立，逐渐把重心移上去。



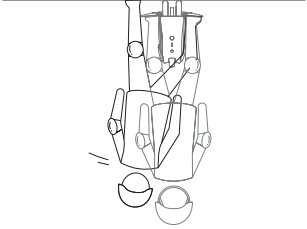
4. 单脚踏板，另一只脚向后蹬地，滑行。



5. 双脚放上踏板，用心掌握前进后退。



6. 双脚踩踏板不同力度的方式来转弯。



3. 单脚踏板，另外一只脚离地1-2秒，滑行。

使用前准备

独轮车是一款高科技的娱乐产品，您在了解操作规范的情况下骑行，将可能导致不可预知的伤害及财产损失。下文将为用户详细讲解如何正确使用独轮车以及使用中的各项注意事项，请务必认真阅读并按要求使用独轮车。您在使用独轮车之前，请确保独轮车的各零件无损坏并安装到位。

- 在使用独轮车之前，请确保电池电量充足，建议充电至 80% 以上。
- 您需要找到一个相对开放和平坦的区域进行驾驶练习，至少 $4m*4m$ 面积，室内外均可。您需要充分了解了周围的驾驶环境，以确保您不会受到汽车、行人、宠物、自行车等障碍物的干扰。
- 您需要拥有一个熟练的助手在旁边。该助手需要熟练操作独轮车，熟悉本手册中的所有注意事项和使用方法。
- 请勿在湿滑的地面上测试车辆。
- 建议使用专业锻造的休闲或运动服装，并穿平底鞋，做热身运动以保持灵活性。
- 请务必佩戴头盔及骑行护具，以免受伤。

安装 APP



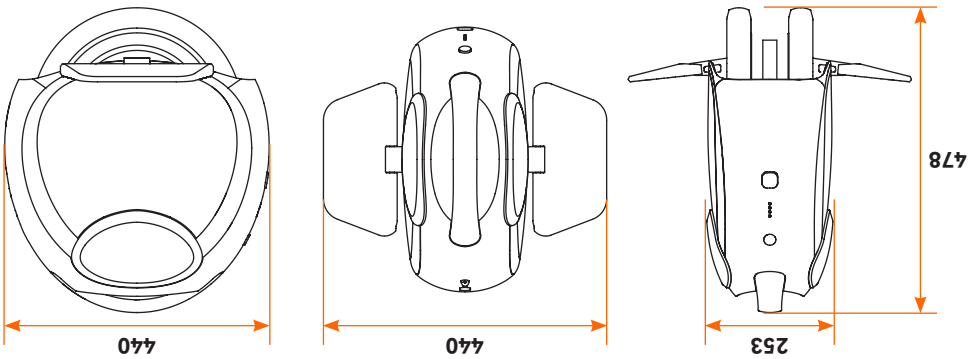
通过以下方法下载 App

1. 扫描左侧的二维码
2. 到应用商店下载
3. 直接访问：www.immotionworld.com/support/app

请注意：

独轮车支持蓝牙，BLE ID 为：E20-XXXXXXXXXX，其中 XXXXXXXXXX 为 SN 的后 8 位。您的移动设备 (iOS 12.1 及以上或 Android 7.0 及以上) 上安装 IMOTION App，根据提示连接您的独轮车。更多详细功能，请登陆官方网站下载乐行天下 App 最新版本用户手册。

产品尺寸图



初次使用

激活

1. 打开激活, 请烟盒接入 App, 进行激活操作, 并激活, 并戴上眼镜的驾驶员, 并打开平衡, 车辆尾灯闪烁提醒;
2. 用户通过 App 激活后, 也可通过驾驶员激活, 进入激活模式;
3. 激活完成后即可将座椅头枕调整回原位。

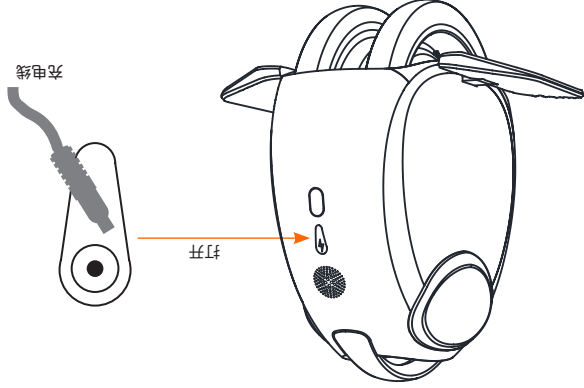
产品参数

产品型号	E20	E20Lite
续航里程 (km)	30 ^[1]	15
充电时间 (h)	约 3.5h	约 2.5h
设计最大时速 (km/h)	20 ^[2]	15
最大爬坡角度 (°)	15 ^[3]	15°
长 * 宽 * 高 (mm)	440*253*507	440*253*507
产品净重 (kg)	13.5	12.8
最大负载 (kg)	90	90
整车防水等级	IPX5	IPX5
额定能量 (Wh)	240	120
额定电压 (V)	48	48
额定功率 (w)	450	450
最大功率 (w)	900	900
轮胎尺寸 (外胎)	14*1.75 并线	14*1.75 并线
出厂胎压 (BAR)	3.0	3.0
电机防水等级	IPX5	IPX5
充电器输入	54.6	54.6
充电器输出功率 (W)	54.6V--1.5A	54.6V--1.0A
新手模式限速	7km/h	7km/h
普通模式限速	15km/h	10km/h
运动模式限速	20km/h	15km/h

[1]: 在满电情况下, 70kg 负载, 环境温度 25℃, 以最大速度的 60% 的在平坦硬化路面行驶测得。续航里程跟温度、轮胎气压、路况、骑行习惯 (如急加速、减震) 等有关。
 [2]: 在满电情况下 70kg 负重, 环境温度 25°, 无风, 平坦路面测的;
 [3]: 在满电情况下 70kg 负载, 实际测得。

充电

原装充电器为 54.6V；电量指示灯循环：0-25%，4 格循环闪烁；25-50%，1 格常亮，3 格循环闪烁；50-75%，2 格常亮，2 格循环闪烁；75-100%，3 格常亮，1 格循环闪烁；100%，4 格常亮。（警告：使用原装充电器充电）



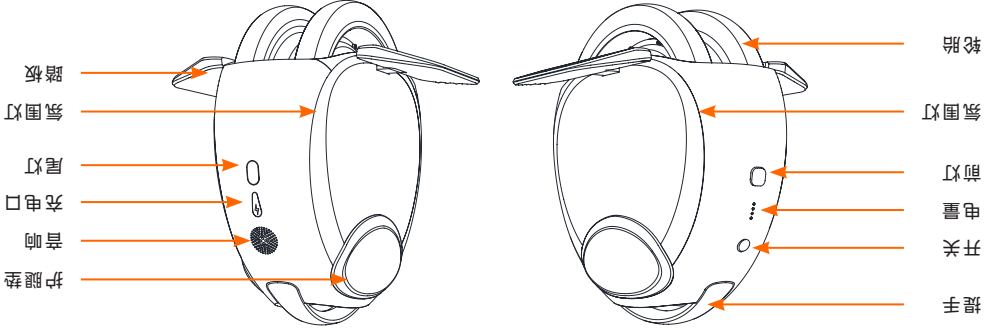
警告：

- 如果充电口或电源线处有水，请不要充电
- 请使用原装适配器充电
- 不要在充电时充电
- 充电时请戴手套
- 如果电池损坏或进水，请不要充电
- 如果长时间不使用，建议每三个月充电一次

注意事项

轮胎胎压：两个轮胎的胎压在 3.0bar 左右，两轮轮胎胎压要保持一致。
移动车辆：提起车辆时，请先关机。

产品组成图



产品功能介绍

开机 / 关机：关机 / 开机状态下长按开关机键 1 秒，即可开机 / 关机。

前灯：开机状态下短按电源键开灯 / 关灯，还可以通过 App 进行开关灯。

锁车：通过 App 锁车图标进行锁车、解锁（认证车主才可以对车辆进行锁车、解锁操作）

骑行模式选择：通过 App 选择：新手模式，普通模式，运动模式（出厂默认新手模式）。

主动失能：双击开关键失去平衡（扶正后再次双击恢复平衡）。

尾灯：正常骑行后尾灯不亮；刹车时尾灯高亮闪烁。

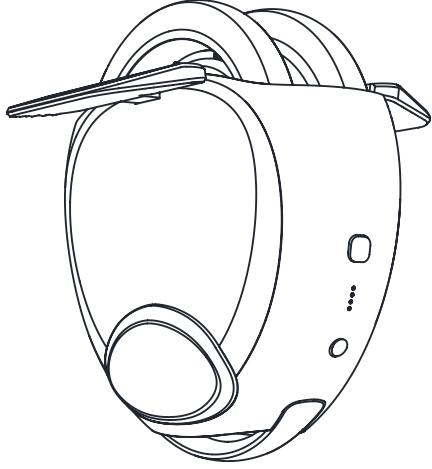
氛围灯：在 App 内自定义。

音响：连接手机蓝牙播放音乐。

产品概述

检查包装清单

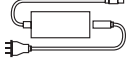
请仔细检查包装内的所有组件，如果有任何组件丢失，请与您的销售点咨询。



用户手册



电源线 / 适配器

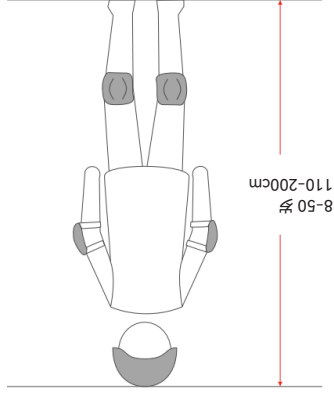


警告：请将包装盒及包装材料保存至少30天，以备日后运输电动独轮车时使用。



欢迎使用

感谢您选择乐行天下电动独轮车（以下简称独轮车）！本款独轮车是一款智能的高科技娱乐产品。当您使用独轮车时，可能存在跌落、碰撞等导致受伤的情况以及其他风险，为降低可能的风险，以确保您和他人的安全、财产安全，您有责任和义务认真阅读用户手册，充分理解本手册中列出的所有警告和注意事项，确保您能正确使用。获取最新的特性/功能信息和安全指导，请从官方网站下载电子版。序列号（以下简称SN）是产品每件的唯一标识，可用于产品的质保、维修、保险赔偿、损失确认等。SN是一个16个字符的数字，可以从这些位置获得，包装箱贴纸、用户手册、车身、APP设备信息。



骑行独轮车时，请全程佩戴头盔、护膝、护肘、护腕等护具，以减少受伤风险。本说明书所有图片仅供参考，产品请以实物为准。

NOILOWN!

在使用您的电动独轮车之前，请阅读说明书，并保留本手册以备参考。



电动独轮车用户手册

ES2 系列

NINEBOT